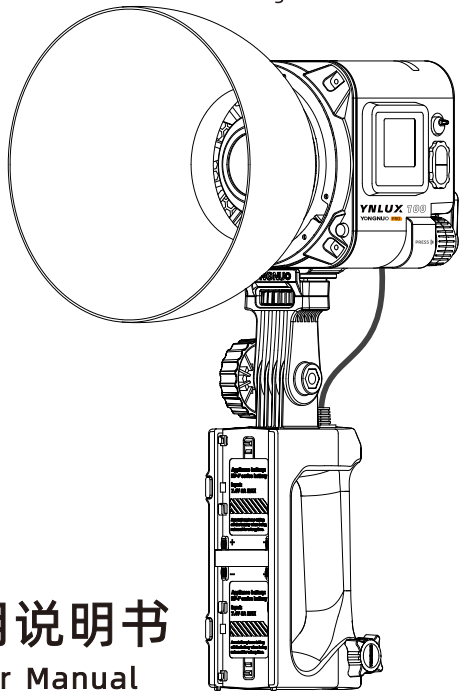


YONGNUO

YNLUX100 PRO

摄像灯
Pro LED Video Light



使用说明书

User Manual


前言

感谢您使用YNLUX100 PRO摄像灯，在使用产品前，请认真阅读使用说明书。

注意事项

- 严禁将产品靠近或者投入火源，以避免发生火灾及爆炸等危险。
- 请勿私自拆卸产品，如产品出现故障须本公司或授权维修人员处理。
- 本产品运行时，请勿直视COB灯珠，勿遮挡散热孔，勿触摸COB灯珠；设备运行时，请勿直视光线。
- 请勿在易燃易爆和暴露在雨中使用。
- 当摄像灯出现高温报警时，请检查风扇是否出现故障。

产品规格

光源	1颗COB灯珠		
色温	2700K-6500K		
输出功率	恒功率120瓦（色温变化，亮度不变）		
外接电池	两个NP-F系列电池（需另购）		
外接电源	DC 19V6.31A、接口尺寸 $\varnothing 5.5*2.1\text{mm}$ 		
摄像灯尺寸	12*12.5*12.5CM		
蓝牙遥控	$\leq 15\text{米}$	2.4G无线控制	$\leq 100\text{米}$
平均寿命	50000小时	光照角度	110°
套装版	包装尺寸：43*20*32CM 所含物品：摄像灯（1）、电源适配器（1）、标准罩（1）、 电池手柄（1）、便携箱（1）、说明书（1）。		
单灯版	包装尺寸：18*17*16.5CM 所含物品：摄像灯（1）、说明书（1）。		

* 屏幕显示的温度为COB工作温度。

亮度测试数据表

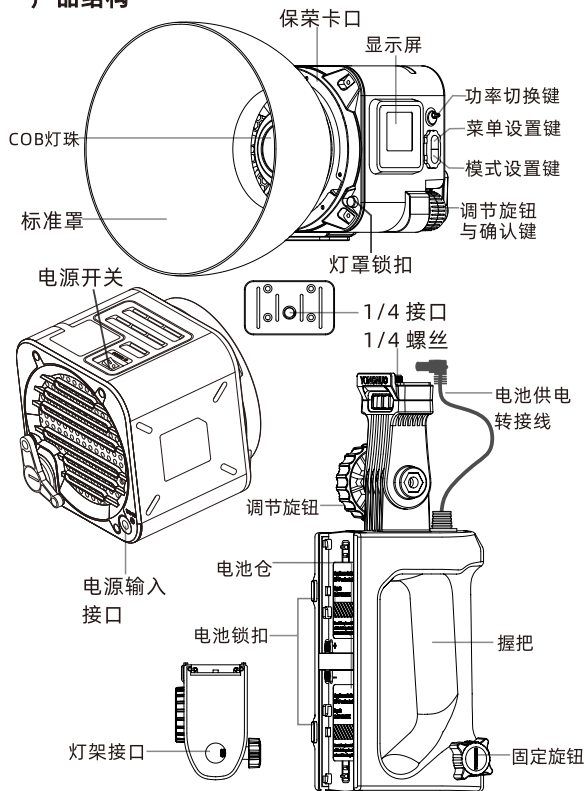
双色温	距离	照度	裸灯	普通标准罩	龙鳞甲
2700k	1米	4600lux	11836lux	51498lux	
	2米	1100lux	2300lux	10900lux	
	3米	500lux	1000lux	4500lux	

双色温	距离	照度	裸灯	普通标准罩	龙鳞甲
5600k	1米	5622lux	14836lux	64565lux	
	2米	1300lux	2900lux	13700lux	
	3米	600lux	1200lux	5600lux	

双色温	距离	照度	裸灯	普通标准罩	龙鳞甲
6500k	1米	5488lux	14316lux	62162lux	
	2米	1300lux	2800lux	13300lux	
	3米	600lux	1200lux	5400lux	

*以上测试为平均值，不同灯的亮度有微小差异。

产品结构

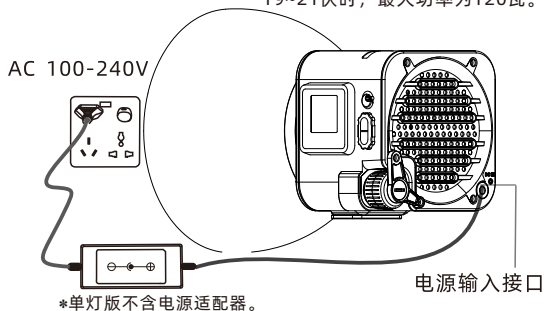


*单灯版不含电池手柄、标准罩、便携箱。

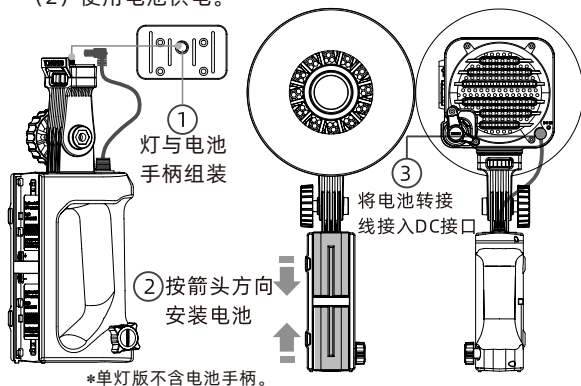
安装与使用

1、两种供电模式。

- (1) 使用电源适配器供电:12~18伏时,最大功率为60瓦;
19~21伏时,最大功率为120瓦。

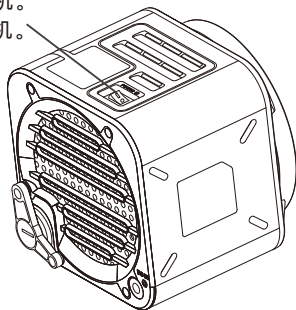


(2) 使用电池供电。



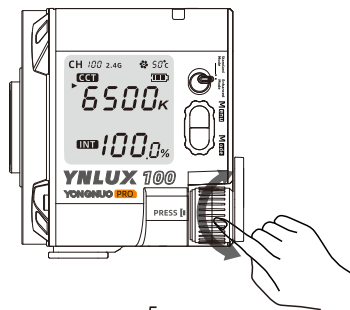
2、开机与关机。

- ：开机。
○：关机。



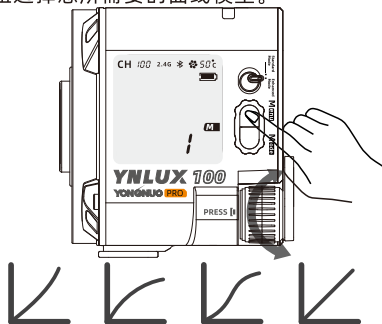
3、色温与亮度调节。

- 按下开机键摄像灯点亮,按下旋钮切换色温与亮度调节选项,旋转旋钮调节参数。(色温调节精准至50K)



4、4种专业级调光曲线模型。

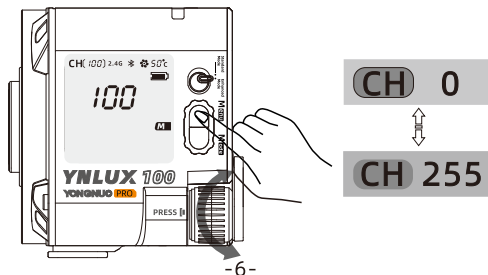
按下<Menu>按钮，旋转至**M** 闪烁，按确认键停止闪烁，调节旋钮选择您所需要的曲线模型。



1 指数型 2 对数型 3 S型 4 线型

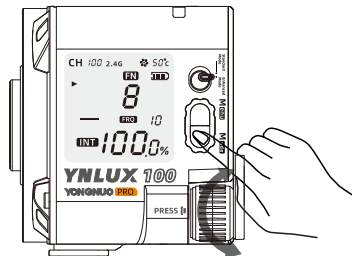
5、切换频道。

按下<Menu>按钮旋转确认键选择频道[CH]菜单，按下确认键旋转旋钮调节到您所需要的频道；按下确认键完成切换。（注：CH1-CH8频道兼容永诺早期摄像灯产品，建议使用CH9以上频道，将获得更顺畅的控制体验。）



6、特效模式。

按下<Mode>按钮进入特效模式，按确认键切换特效模式、速度、亮度选项、旋转调节参数。再按下<Mode>切换到色温模式。



闪电



SOS



坏灯泡



电影荧幕反光



白灯呼吸



日出



狗仔队



爆炸



黄灯呼吸



频闪



烟花



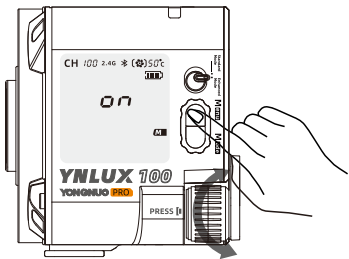
色温循环

7、设置风扇开关。

按下<Menu>按钮，旋转旋钮选择风扇图标，按下确认键选择开关。

ON：风扇开起时功率120瓦。

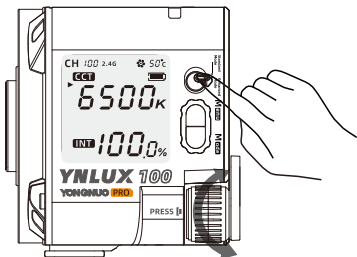
OFF：风扇关闭时功率降至20瓦。



8、功率切换键。

拨动开关切换标准模式或性能模式。

	DC供电	电池供电
标准模式	60瓦	30瓦
性能模式	120瓦	60瓦



9、手机APP与遥控器的使用。

- 1) .按下<Menu>按键旋转调节旋钮选择蓝牙<📶>,按下确认键开启蓝牙；此时打开手机APP就可以自动连接摄像灯实现无线控制。
- 2) .2.4G无线控制模式可选择开启或关闭。
- 3) .APP可以从永诺官网下载或通过扫描彩盒二维码点击下载。（注：遥控器需另购）



蓝牙 OFF



蓝牙 ON

2.4G

2.4G OFF

2.4G

2.4G ON

本手册中的功能是依据本公司的测试条件获得，设计和规格如有变更，恕不另行通知。

深圳市永诺摄影器材股份有限公司

地址：深圳市坪山区坑梓街道深福保现代光学厂区A座

电话：（86）0755-83762448

传真：（86）0755-83762765

网址：www.hkyongnuo.com

生产地址：深圳市坪山新区坑梓街道锦绣中路14号

深福保现代光学厂区A栋厂房

售后电话：400-001-3888

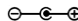
Introduction

Thank you for using YNLUX100 PRO LED video light. Please read the manual carefully before you use it.

Precautions

- Do not put the product close to or throw it into the fire source to avoid the danger of fire and explosion.
- Do not disassemble the product, maintenance or repair of this product should be handled by technical maintenance personal of our company or authorized technical maintenance personal.
- When the product is running, please do not look directly at the COB lamp beads, do not cover the heat emission hole, and do not touch the COB lamp beads; When the device is running, do not look directly at the light.
- Do not use this product in flammable and explosive place, or where it can be exposed to moisture.

Product specification

Light Source	One COB lamp bead		
Color temperature version	2700K-6500K		
Output power	Constant power 120W (Color temperature changes, brightness remains unchanged)		
Compatible batteries	Two NP-F series batteries (Need to be purchased separately.)		
External power source	DC 19V6.31A , Interface size $\varnothing 5.5 \times 2.1 \text{mm}$ 		
Product Net Size	12*12.5*12.5CM		
Bluetooth control	$\leq 15 \text{m}$	2.4G wireless control	$\leq 100 \text{m}$
Average Service Life	50000H	Luminance Angle	110°
Kit version Package Dimensions : 43*20*32CM Contents: Video light(1), Power adapter(1), standard cover(1), Battery handle(1), Portable(1), User Manua(1)			
Single light version Package Dimensions : 18*17*16.5CM Contents: Video light (1), User Manual(1) Note: Please contact your dealer if anything missing			

*The temperature displayed on the screen is the COB working temperature.

Photometrics

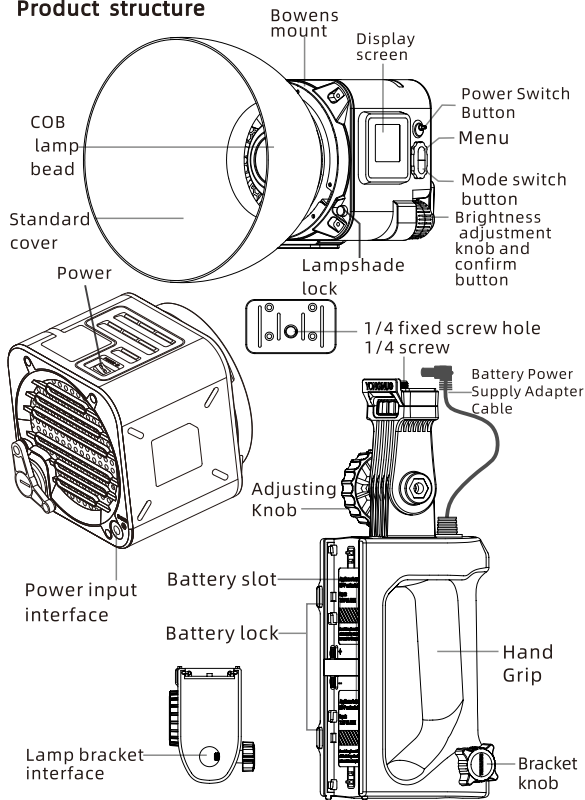
Bi-color temperature version	Distance		Single light	Standard Reflector	Dragon-scale Armor
	Illumination				
2700k	1m		4600lux	11836lux	51498lux
	2m		1100lux	2300lux	10900lux
	3m		500lux	1000lux	4500lux

Bi-color temperature version	Distance		Single light	Standard Reflector	Dragon-scale Armor
	Illumination				
5600k	1m		5622lux	14836lux	64565lux
	2m		1300lux	2900lux	13700lux
	3m		600lux	1200lux	5600lux

Bi-color temperature version	Distance		Single light	Standard Reflector	Dragon-scale Armor
	Illumination				
6500k	1m		5488lux	14316lux	62162lux
	2m		1300lux	2800lux	13300lux
	3m		600lux	1200lux	5400lux

*This is an averaged result, the number might be slightly different on each light

Product structure



*Single light version does not contain battery handle, standard reflector or portable case.

-12-

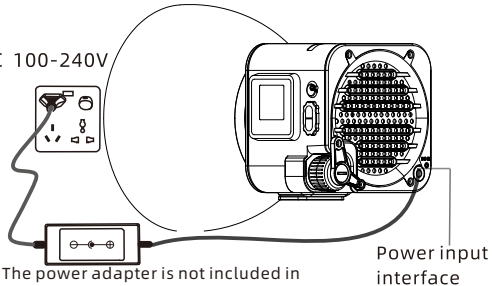
Installation and use

1、Two power supply modes.

(1) Powered by power adapter:

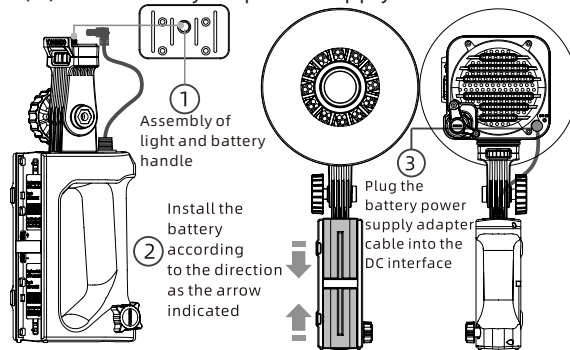
When the voltage is in the range of 12~18V, the maximum power is 60W;
 When the voltage is in the range of 19~21V, the maximum power is 120W.

AC 100-240V



*The power adapter is not included in the single light version.

(2) Uses battery for power supply.

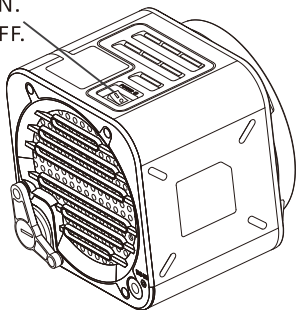


*The battery handle is not included in the single light version.

-13-

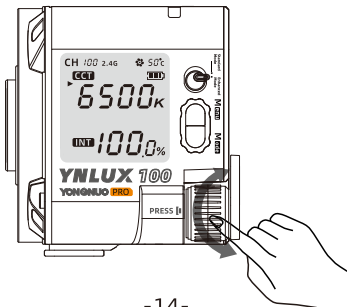
2. Power ON or OFF

- : ON.
- : OFF.



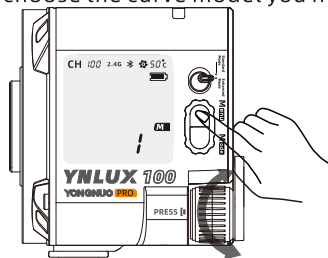
3. Color temperature and brightness adjustment
Press the power button to turn on the light, and press the knob to switch the color temperature and brightness options, rotate the knob to adjust the parameters.

(Color temperature is adjusted accurately to 50K)



-14-

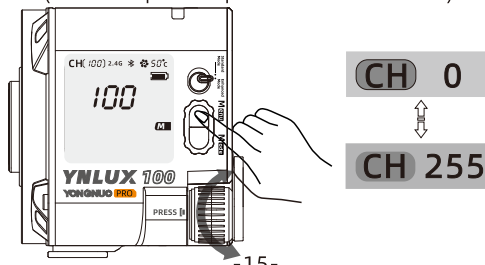
4. 4 professional light adjustment curve models.
Press the <Menu> button, rotate to **M** blinking, press the CONFIRM key to stop blinking, adjust the knob to choose the curve model you need.



1 Exponential 2 Logarithmic 3 S-shaped 4 Linear

4. Switch channels

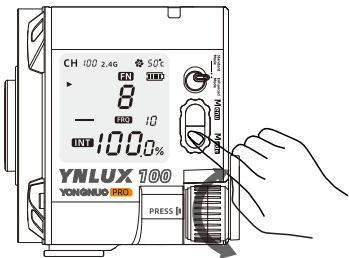
Press the button <Menu> and toggle the confirm button to select the channel [CH] menu, then turn the knob to adjust the channel you want; press OK to complete the switch. (Note: The product provides 256 channels.)



-15-

5. Special effect mode

Press <Mode> button to enter special effect mode, press confirm button to switch the special effect mode, speed and brightness options, turn the knob to adjust the parameter. Press <Mode> again to switch to the color temperature mode. (Note: 9 special modes for white version)



Simulated lightning



SOS



The bad light bulb



Film screen reflection



White breathing light



Sunrise



Paparazzi



The explosion



Yellow breathing light



Strobe



Fireworks



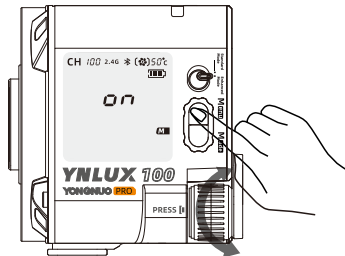
Temperature cycle

6. Fans Switch Setting

Press the <Menu> button, and then rotate the knob to select the fan icon, and press the confirm button to select the switch.

ON: The power is 120W when the fan is on.

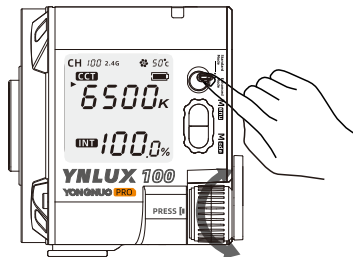
OFF: The power is reduced to 20 Watts when the fan is off.



7. Power Switch Button.

Toggle the power to switch between standard mode and performance mode.

	DC input	Battery
Standard Mode	60W	30W
Enhanced Mode	120W	60W



8. Use via mobile APP and remote control for wireless control

1). Press the menu button < * > and toggle the OK button to select bluetooth, press OK button to turn on bluetooth; open the mobile APP, at this time the video light is connected automatically to realize wireless control.

2). 2.4G wireless control mode can be selected to turn on or off.

3) The APP can be downloaded from the YONGNUO official website or scanning the QR code on the gift box.



Bluetooth
OFF



Bluetooth
ON



2.4G OFF



2.4G ON

The functions in this manual are based on the test conditions our company. Further notice will not be given if the design and specifications change.

APP下载

APP Download



永诺官网

YONGNUO Web

